

Specifications:

Light source	LED	Dimensions	150 (W) × 115 (H) × 190 (D)mm
Wavelength	455nm and 575nm	Net weight	1.2Kg
Measuring range	0-30mg/dl , 510µmol/L	Interface	RS232
Display	16x2 LCD module with backlight	Reading cuvette	Heparinized micro capillary holder
Auto calibration	Yes	Storage temperature	15-40°C
Sample type	Serum or plasma	Power supply	DC 9V(DC adapter)
Sample volume	40-80µL	Power consumption	<2W
Test time	<5sec	Two test modes	'Test' mode for normal sample
Units	mg/dl or µmol/L		'Test Hemo' for Hemolyzed sample

Accessories:

- External Adapter - 1pc
- Heparinized capillary - Tube 1 box (100pcs)
- Sealing wax - 1pc
- Users manual - 1pc

*Specifications are subject to change without the prior notice of manufacturer.

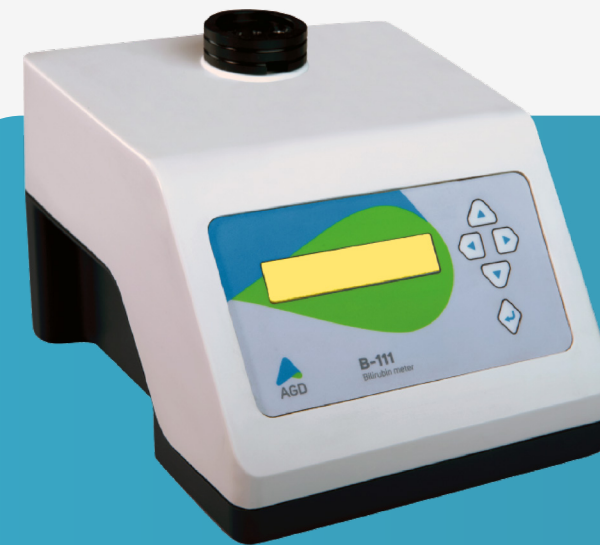
AGD Biomedicals Pvt. Ltd.
Mehta Trade Center,
Sir M.V. Road, Andheri East,
Mumbai - 400 099 INDIA

P : +91-22-28231061/66
+91-22-28257999
E : sales@agdbio.com
W : www.agdbio.com

ISO : 9001 : 2015
ISO : 13485 : 2016



B-111 Bilirubinmeter



Advanced, benchtop and precise
instrument for measuring Total Bilirubin



The advanced B-111 Bilirubinmeter provides fast, accurate result for Total bilirubin level in neonates with only 40µl serum or plasma sample, It determines total bilirubin by dual wavelength photometric analysis. Suited for pediatric setups, small workload labs & hospitals because of it's compact and portable design.

Heparinised micro capillary holder

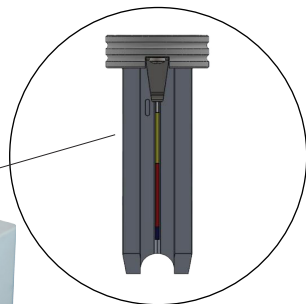
Holds sample capillary in proper alignment which gives accurate results

LCD Display

16 x 2 LCD module with backlight

Operation keys

Easy to operate



Clinical Implications

Bilirubin is a byproduct of the breakdown of hemoglobin by the liver. When hemoglobin is metabolized, insoluble bilirubin is produced. The insoluble (indirect) bilirubin is broken down into a water soluble (conjugated or direct) form. Direct bilirubin is then excreted. Most neonates have a degree of jaundice shortly after birth, because the liver is not fully developed. Newborn infants must be monitored to identify those who might develop severe hyperbilirubinemia.

Features :

Auto zero function:

- Manual blanking not required

Dual wavelength measurement system:

- 2 wavelengths 455nm & 575nm
- Plays major role to remove the interference caused due to Hemolysis & turbidity of sample

LED Light source:

- LED does not require replacement because it lasts long
- As compared to Lamp, LED are more suitable as there is no intensity fluctuations
- No warm up time required

Flexible unit selection:

- Two units either mg/dl or µmol/L are selectable, ease of reporting

Compact slot for Capillary:

- Accuracy of results are directly related to proper alignment of Capillary
- B-111 has easiest mode to ensure precise values

Data transfer:

- External device can be connected to instrument through RS232 port
- USB Port